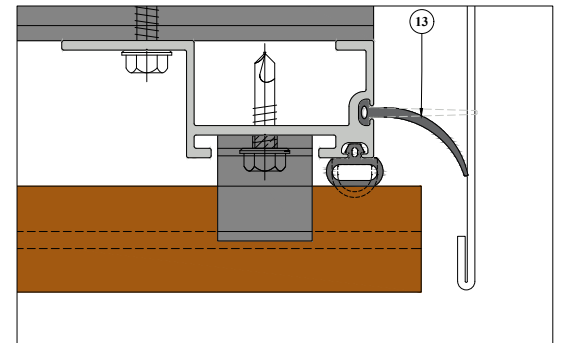


- ① 28mm thick NBK terracotta tile
- ② CLP30 NBK extruded clip
- ③ VTS30/VTS31 - Alum. extruded carrier track
- ④ SGA - Alum. extruded subgirt-angle
- ⑤ SG - Alum. extruded sub-girt 24"
- ⑥ GSK100 - EPDM spacer gasket
- ⑦ 1/4"-14 x 1" HWH S.S. Bi Flex or similar (Not by NBK)
- ⑧ Insulation per design
- ⑨ 5/8" GYP. Board sheathing with air & vapor barrier membrane (Not by NBK)
- ⑩ Vertical steel stud framing, min. 16 ga@ 16" centers (Not by NBK)
- ⑪ 1/4"-14 x 2" HWH S.S. Bi Flex or approved equal (Not by NBK)
- ⑬ WGK 01 Wiper gasket (Optional)

OPTIONAL WIPER GASKET



SYSTEM: TERRART 28

DETAIL: STANDARD STUDWALL DETAIL

DETAIL NUMBER: NBK-HS-28-03

TILE DIRECTION: HORIZONTAL

DRAWING REFERENCE: WINDOW JAMB

SCALE: 1:2

NBK | ARCHITECTURAL TERRACOTTA
 A Hunter Douglas Company

NBK North America

10 Federal Street, Second Floor
 Salem, MA 01970
 Telephone: +1 (781) 639 2662
 www.nbkterracotta.com